

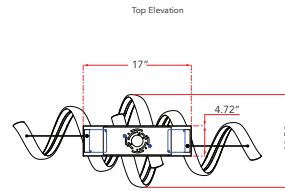
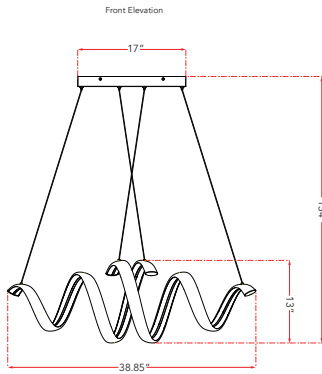


FAMILY NAME 10006PN-TS

Linear Spring Pendant

ABRA MODEL Sling

UPC 00810035192560



FIXTURE MATERIAL				FIXTURE DIMENSIONS IN INCHES							COMPLIANCE		
Frame Material	Finishes Available	Diffuser Type	Diffuser Finish	Diameter	Height	o.a.h	Width	Length	Ext	ADA	Location	Rating	Compliance
Aluminum	TS-Titanium Silver MB-Matte Black	Acrylic	White		13	134	14.5	38.5			Ceiling Mount only	Dry Location	cETLus
LAMPING										Compatible Dimmers	Junction Box Type	SUPPLIED	
Lamp Type	Lamp qty	Wattage	Max Wattage	Base	Kelvin	CRI	Initial Lumen's	Delivered Lumen's	Voltage	Triac, CL,ELV	Standard 4 x 4 Octagon Box	Lamps	
LED	2	35w	70w	Solid State Module	3000k	90+	5950	4165 estimated	120v	SPECIAL NOTES			

ABRA LIGHTING
NEOTERIC DESIGN

12151 Madera Way Riverside California 92503
Phone: 949-940-1155 • Toll Free 800-295-7121
www.abralighting.com

Project Name			
Date		Type	