

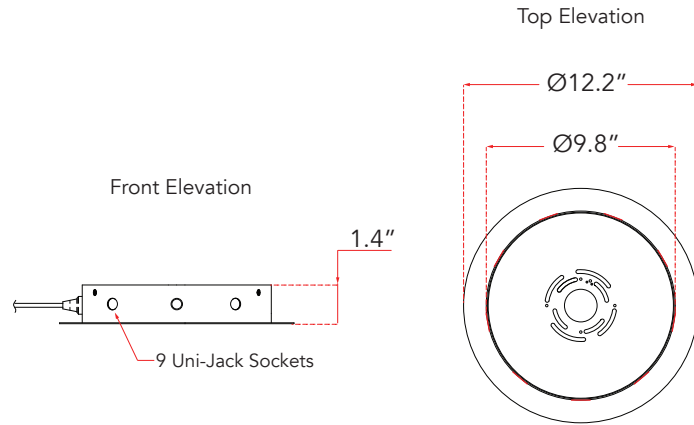


FAMILY NAME **10083CP-MB**

Nine-Port Uni-Jack Canopy

ABRA MODEL **Canopy**

UPC **00810035193024**



FIXTURE MATERIAL				FIXTURE DIMENSIONS IN INCHES									
Frame Material	Finishes Available	Diffuser Type	Diffuser Finish	Diameter	Height	o.a.h	Width	Length	Ext	ADA	Location	Rating	Compliance
Steel	MB-Matte Black BN-Brushed Nickel			12.2	1.4						Ceiling Mount only	Dry Location	cETLus
LAMPING										Compatible Dimmers	Junction Box Type	SUPPLIED	
Lamp Type	Lamp qty	Wattage	Max Wattage	Base	Kelvin	CRI	Initial Lumen's	Delivered Lumen's	Voltage	Triac, CL,ELV	Standard 4 x 4 Octagon Box		
LED	9	6w	54w	Solid State Module	3000k	90+			120v	SPECIAL NOTES			

ABRA LIGHTING
NEOTERIC DESIGN

12151 Madera Way Riverside California 92503
Phone: 949-940-1155 • Toll Free 800-295-7121
www.abralighting.com

Project Name			
Date		Type	