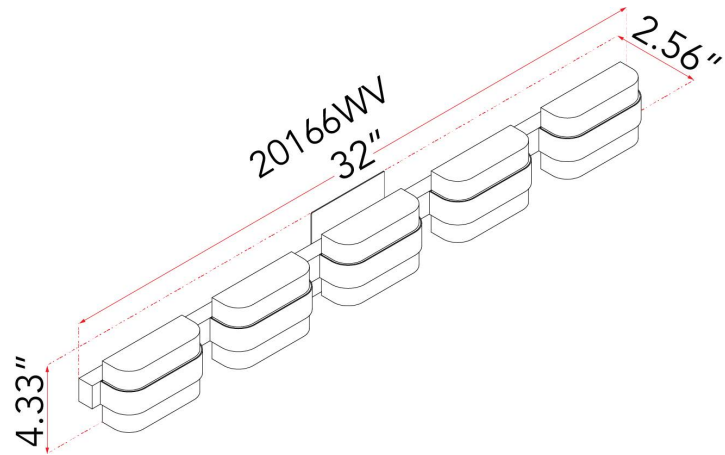




FAMILY NAME **20166WV-CH**      **5-Lt Crystal Glass Vanity with movable Backplate**  
 ABRA MODEL **JoJo**                      **UPC**



FIXTURE MATERIAL				FIXTURE DIMENSIONS IN INCHES									
Frame Material	Finishes Available	Diffuser Type	Diffuser Finish	Diameter	Height	o.a.h	Width	Length	Ext	ADA	Location	Rating	Compliance
Metal	CH-Chrome BN-Brushed Nickel	Glass	Clear		4.33			32	2.56	Yes	Wall Mount only	Damp Location	cETLus
LAMPING										Compatible Dimmers	Junction Box Type	SUPPLIED	
Lamp Type	Lamp qty	Wattage	Max Wattage	Base	Kelvin	CRI	Initial Lumen's	Delivered Lumen's	Voltage	Triac, ELV, CL	Standard 4 x 4 Octagon Box	Lamps	
LED	5	8w	40w	Solid State Module	3000k	90+	3400	2380 estimated	120v	<b>SPECIAL NOTES</b>			

**ABRA LIGHTING**  
NEOTERIC DESIGN

12151 Madera Way Riverside California 92503  
 Phone: 949-940-1155 • Toll Free 800-295-7121  
[www.abralighting.com](http://www.abralighting.com)

<b>Project Name</b>			
<b>Date</b>		<b>Type</b>	