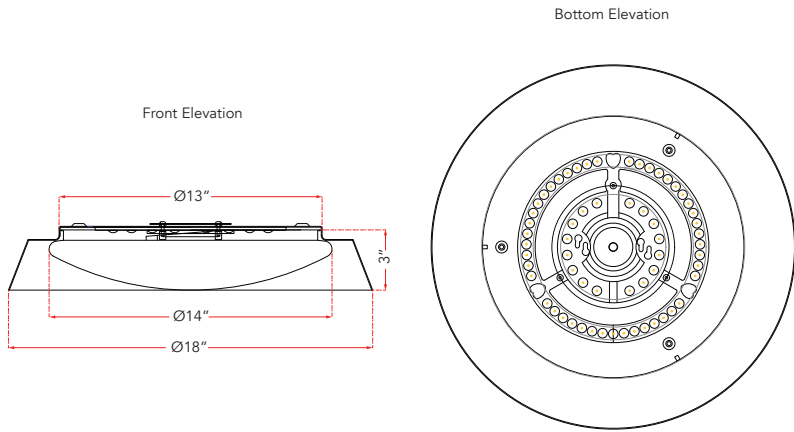




ABRA MODEL **30073FM-MW.GLD** **18" 3CCK Flared Metal Frame with Opal Glass Diffuser**
 ABRA Model **Flare** **UPC 00810035193451**



| FIXTURE MATERIAL | | | | DIMENSIONS IN INCHES | | | | | | CERTIFICATION | | |
|------------------|--|----------|---------|----------------------|--------|--------|----------|---------------|--|---------------|--|--|
| Frame Material | Finishes Available | Diffuser | Finish | Fixture | | Label | Location | Rating | | | | |
| | | | | Diameter | Height | | | | | | | |
| Steel | MW.GLD-Matte White Gold MB.GLD-Matte Black Gold | Glass | Frosted | 18 | 3 | cETLus | Ceiling | Damp Location | | | | |

| LAMPING | | | | | | | | | | COMPATIBLE DIM-MER'S | J-BOX TYPE | SUPPLIED |
|-----------|----------|---------|--------------|---------|-------------------------|-----|-----------------|-------------------|---------|----------------------|------------|----------|
| Lamp Type | Lamp qty | Wattage | Max Watt-age | Base | Kelvin | CRI | Initial Lumen's | Delivered Lumen's | Voltage | CL, ELV | Octagonal | |
| LED | 1 | 40w | 40w | Modules | 2700k 3350k 4000k | 90 | 3400 | 2380 estimated | 120v | | | |

ABRA LIGHTING
NEOTERIC DESIGN

12151 Madera Way Riverside California 92503
 Phone: 949-940-1155 • Toll Free 800-295-7121
www.abralighting.com

| | | | |
|---------------------|--|-------------|--|
| Project Name | | | |
| Date | | Type | |

SPECIAL NOTES