



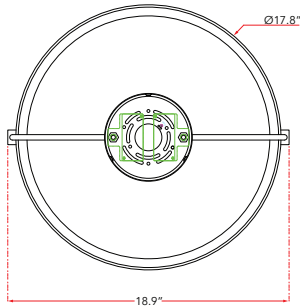
FAMILY NAME 30083FM-TS

18" Dual LED Ring Flushmount

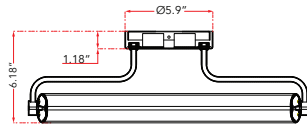
ABRA MODEL Rave

UPC 00810035193550

Top Elevation



Front Elevation



FIXTURE MATERIAL				FIXTURE DIMENSIONS IN INCHES									
Frame Material	Finishes Available	Diffuser Type	Diffuser Finish	Diameter	Height	o.a.h	Width	Length	Ext	ADA	Location	Rating	Compliance
Metal	TS-Titanium Silver MB-Matte Black	Silicon	White	18	6.2			18.9			Ceiling Mount only	Damp Location	cETLus
LAMPING										Compatible Dimmers	Junction Box Type	SUPPLIED	
Lamp Type	Lamp qty	Wattage	Max Wattage	Base	Kelvin	CRI	Initial Lumen's	Delivered Lumen's	Voltage	Triac, CL,ELV	Standard 4 x 4 Octagon Box	Lamps	
LED	1	32w	32w	Solid State Module	3000k	90+	2720	1904 estimated	120v	SPECIAL NOTES			

ABRA LIGHTING
NEOTERIC DESIGN

12151 Madera Way Riverside California 92503
Phone: 949-940-1155 • Toll Free 800-295-7121
www.abralighting.com

Project Name			
Date		Type	