

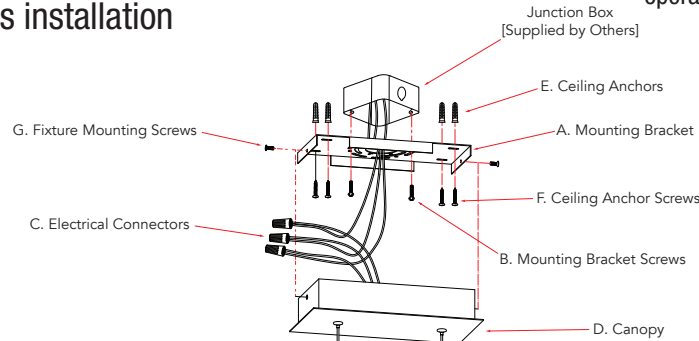
### Assembly and Installation Instructions for Model's

# 10111PN

## CAUTION - RISK OF FIRE

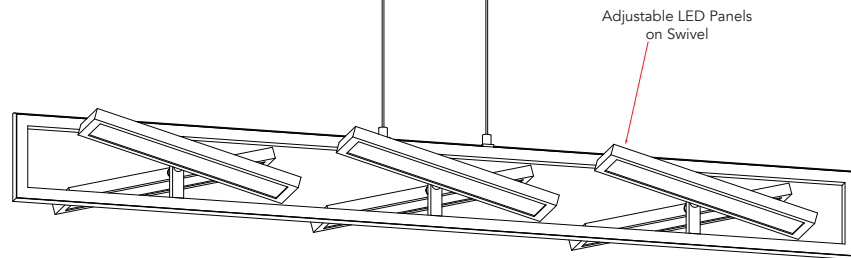
Installation of this fixture should be done by a licensed electrician or by a person familiar with local electrical codes and the construction and operation of this fixture.

**Warning** please make sure the electrical breaker is shut off before commencing with this installation



### Package Contents

Part	Description	Quantity
<b>A</b>	Mounting bracket	1
<b>B</b>	Mounting bracket screws	2
<b>C</b>	Electrical connectors	3
<b>D</b>	Canopy	1
<b>E</b>	Ceiling anchors	4
<b>F</b>	Ceiling anchor screws	4
<b>G</b>	Fixture mounting screws	2



### Installing the fixture

*please ensure the electrical breaker is in the Off position before commencing*

- Loosely attach the Mounting bracket (**A**) to the Junction Box [Supplied by Others] using the Mounting bracket screws (**B**) and mark where the four Ceiling anchors (**E**) will be placed. Remove the Mounting bracket.
- Insert the Ceiling anchors (**E**) into their marked positions on the ceiling. Attach the Mounting bracket to the Junction Box using the Mounting bracket screws (**B**). Secure the Mounting bracket to the ceiling by inserting the Ceiling anchor screws (**F**) into the Ceiling anchors.
- Connect the supply wires to the fixture wires using the supplied electrical wire connectors (**C**). White supply wire to the White fixture wire, Black supply wire to Black fixture wire and the ground Bare Copper or Green wire to the Green fixture wire. Once the electrical wire connectors are securely fastened it is recommended to tape these connectors with electrical tape.
- Secure the Canopy (**D**) to the Mounting bracket (**A**) using the Fixture mounting screws (**G**).
- Adjust the LED panels in your desired configuration.
- Switch on the electrical breaker switch and your new fixture is ready for many years of trouble free use.