

Assembly and Installation Instructions for Model

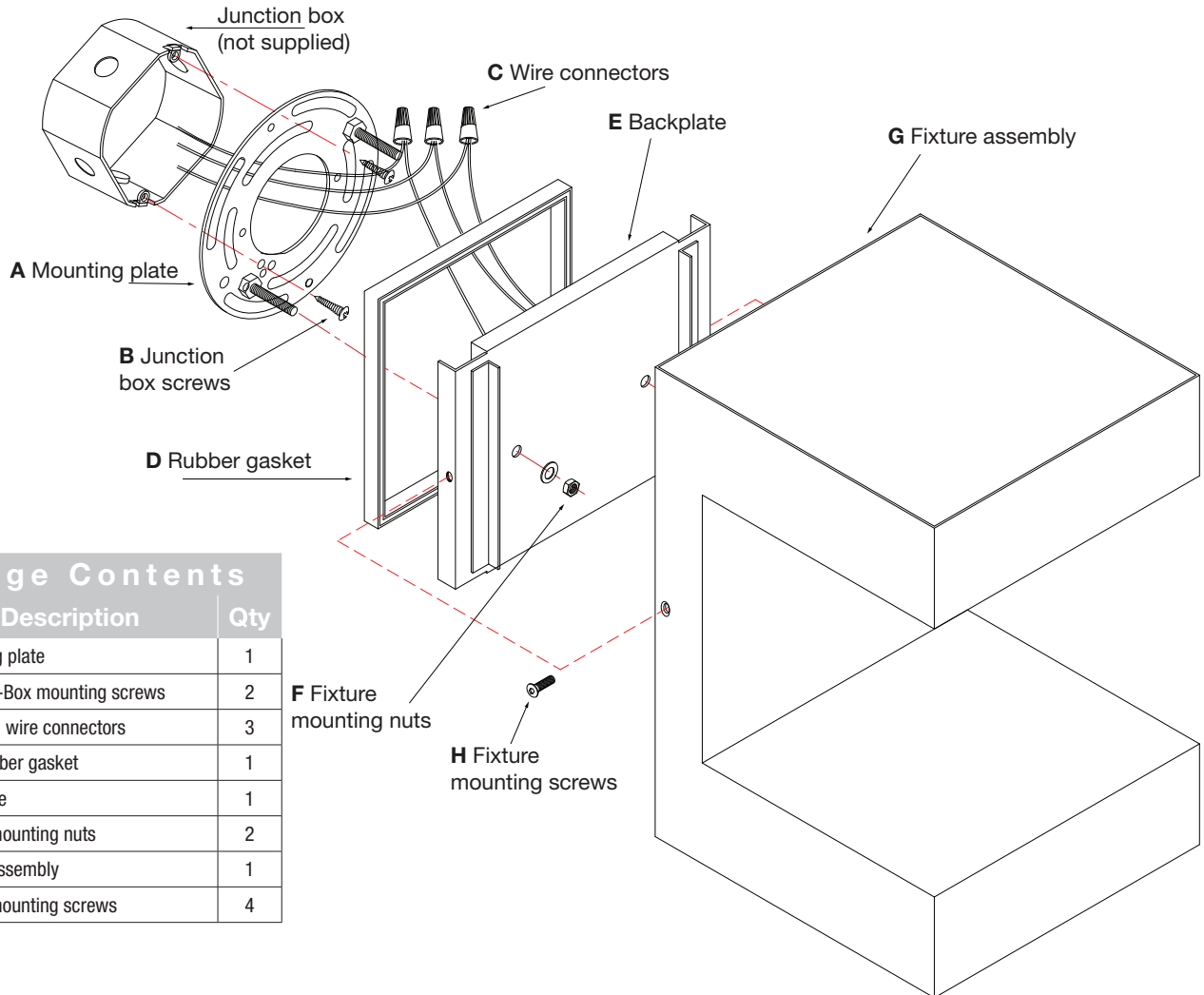
500060DW

CAUTION - RISK OF FIRE

Installation of this fixture should be done by a licensed electrician or by a person familiar with local electrical codes and the construction and operation of this fixture.

Warning please make sure the electrical breaker is shut off before commencing with this installation. Read and familiarize yourself with these instructions before commencing.

This fixture is certified for wall mounting and is suitable for Wet locations and dimmable with most dimmers.



Package Contents

Part	Description	Qty
A	Mounting plate	1
B	Junction-Box mounting screws	2
C	Electrical wire connectors	3
D	Base rubber gasket	1
E	Backplate	1
F	Fixture mounting nuts	2
G	Fixture assembly	1
H	Fixture mounting screws	4

Installing the fixture *please ensure the electrical breaker is switched off before commencing*

- | | | | |
|---|--|---|--|
| 1 | Attach the supplied Mounting plate (A) with the two supplied mounting screws (B) to the Junction-Box. | 4 | Attach the Backplate (E) to the Fixture mounting bracket (A) and secure with supplied Fixture nuts (F). |
| 2 | Attach the supplied Base rubber gasket (D) to the back rim of the Fixture Assembly (E) | 5 | Attach the Fixture assembly (G) to the Backplate (E) and secure with supplied Fixture mounting screws (H). |
| 3 | Connect the supply wires to the fixture wires using the supplied Electrical wire connectors (C). White supply wire to the White fixture wire, Black supply wire to Black fixture wire and the ground Bare Copper or Green wire to the Green fixture wire. Once the electrical wire connectors are securely fastened it is recommended to tape these connectors with electrical tape. | 6 | Switch on the electrical breaker switch and your new fixture is ready for many years of trouble free use |

Instructions for Outdoor Fixtures and Maintenance Guidelines

Thank you for choosing an Abra outdoor fixture for your lighting needs. Proper installation and maintenance are essential to ensure the longevity and optimal performance of your fixture. Below are some guidelines to help you get the most out of your luminaire:

Regular Cleaning:

Periodical cleaning is crucial to remove salt, dirt, and other debris that can accumulate on the surface of your light that can cause premature failure of the finish and to avoid the finish becoming marred it is recommended to do the following at regular intervals

- Hose down the fixture with clean water
- If there is a residue build up, gently wash the fixture with dishwash solution.
- Avoid using harsh chemicals that may damage the materials or finish of the fixture.
- Rinse thoroughly with clean water to remove any residue.

Inspection and Maintenance:

Periodically inspect your light to ensure they are in optimal condition. Here's what to look for during inspections:

- Check for signs of corrosion, especially in coastal areas where salt exposure is higher.
- Inspect for loose connections and tighten them if necessary.
- Ensure all seals are intact and re-calk if damaged.

By following these guidelines, you can prolong the durability of your lighting fixtures and ensure they continue to provide reliable and efficient outdoor lighting for years to come. If you have any further questions or concerns, please don't hesitate to contact us for assistance.