

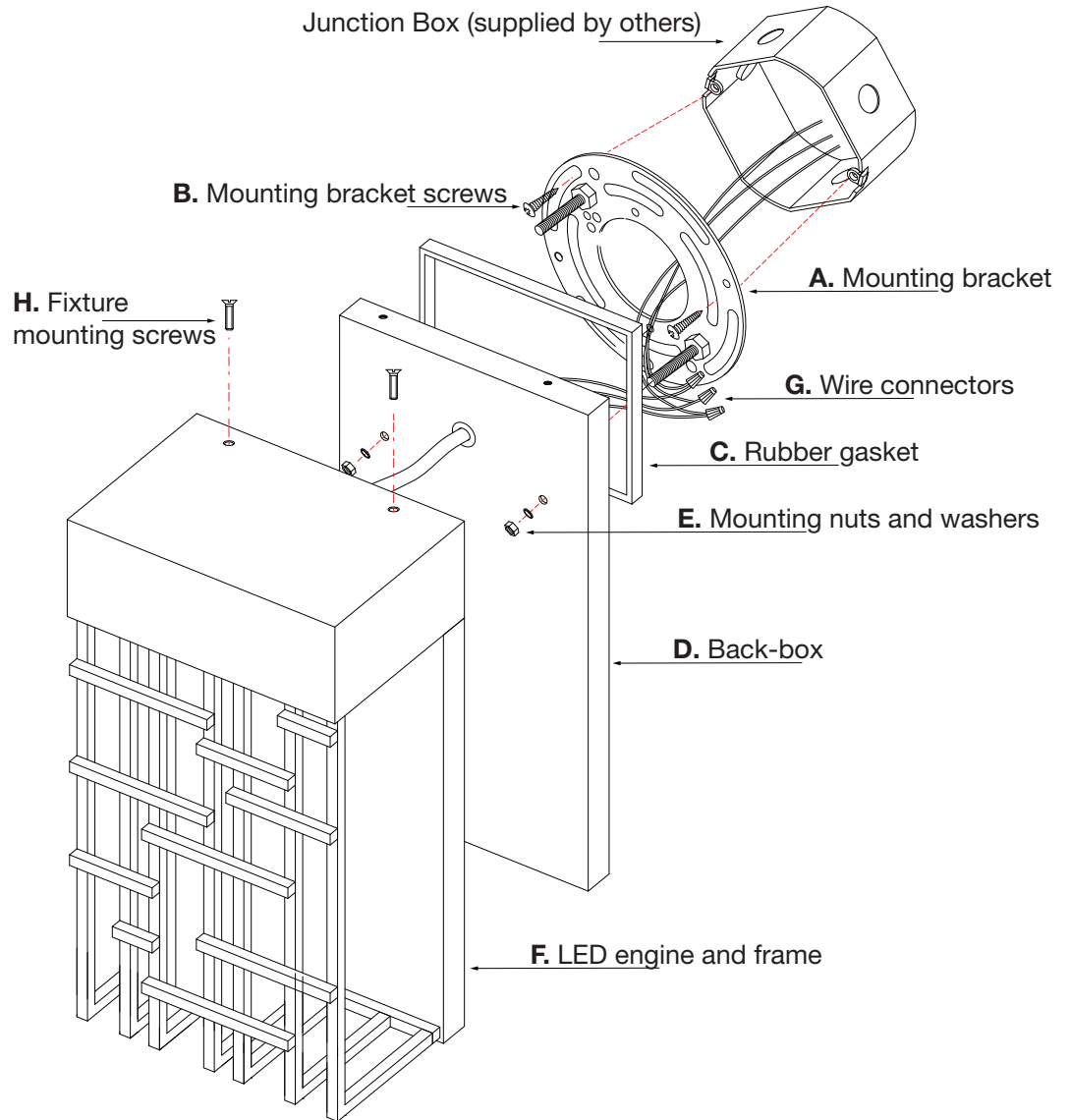
Assembly and Installation Instructions for Model's

50060-10DW

Warning please make sure the electrical breaker is shut off before commencing with this installation

CAUTION - RISK OF FIRE

Installation of this fixture should be done by a licensed electrician or by a person familiar with local electrical codes and the construction and operation of this fixture.



Package Contents		
Part	Description	Qty
A	Mounting bracket	1
B	Bracket screws	2
C	Rubber gasket	1
D	Back-box	1
E	Mounting nuts and washers	2
F	Led engine and frame	1
G	Wire connectors	3
H	Fixture mounting screws	2

Installing the fixture *please ensure the electrical breaker is switched off before commencing*

- 1 Attach the supplied Mounting bracket (A) to the Junction-Box, secure in place with the two supplied Bracket screws (B) and attach the Rubber gasket (C) to the rear of the Back-box (D).
- 2 Connect the supply wires to the White supply wire to the White fixture wire, Black supply wire to Black fixture wire and the ground Bare Copper or Green wire to the Green fixture wire using the supplied Wire connectors (G). Once the electrical wire connectors are securely fastened it is recommended to tape these connectors with electrical tape.
- 3 Insert the Threaded bolts from the Mounting bracket (A) through the Back-box (D) and secure with supplied Mounting nuts and washers (E).
- 4 Attach the Led engine and frame (F) to the Back-box with the Fixture mounting screws (H).
- 5 Switch on the electrical breaker switch and your new fixture is ready for many years of trouble free use.

Instructions for Outdoor Fixtures and Maintenance Guidelines

Thank you for choosing an Abra outdoor fixture for your lighting needs. Proper installation and maintenance are essential to ensure the longevity and optimal performance of your fixture. Below are some guidelines to help you get the most out of your luminaire:

Regular Cleaning:

Periodical cleaning is crucial to remove salt, dirt, and other debris that can accumulate on the surface of your light that can cause premature failure of the finish and to avoid the finish becoming marred it is recommended to do the following at regular intervals

- Hose down the fixture with clean water
- If there is a residue build up, gently wash the fixture with dishwash solution.
- Avoid using harsh chemicals that may damage the materials or finish of the fixture.
- Rinse thoroughly with clean water to remove any residue.

Inspection and Maintenance:

Periodically inspect your light to ensure they are in optimal condition. Here's what to look for during inspections:

- Check for signs of corrosion, especially in coastal areas where salt exposure is higher.
- Inspect for loose connections and tighten them if necessary.
- Ensure all seals are intact and re-calk if damaged.

By following these guidelines, you can prolong the durability of your lighting fixtures and ensure they continue to provide reliable and efficient outdoor lighting for years to come. If you have any further questions or concerns, please don't hesitate to contact us for assistance.