



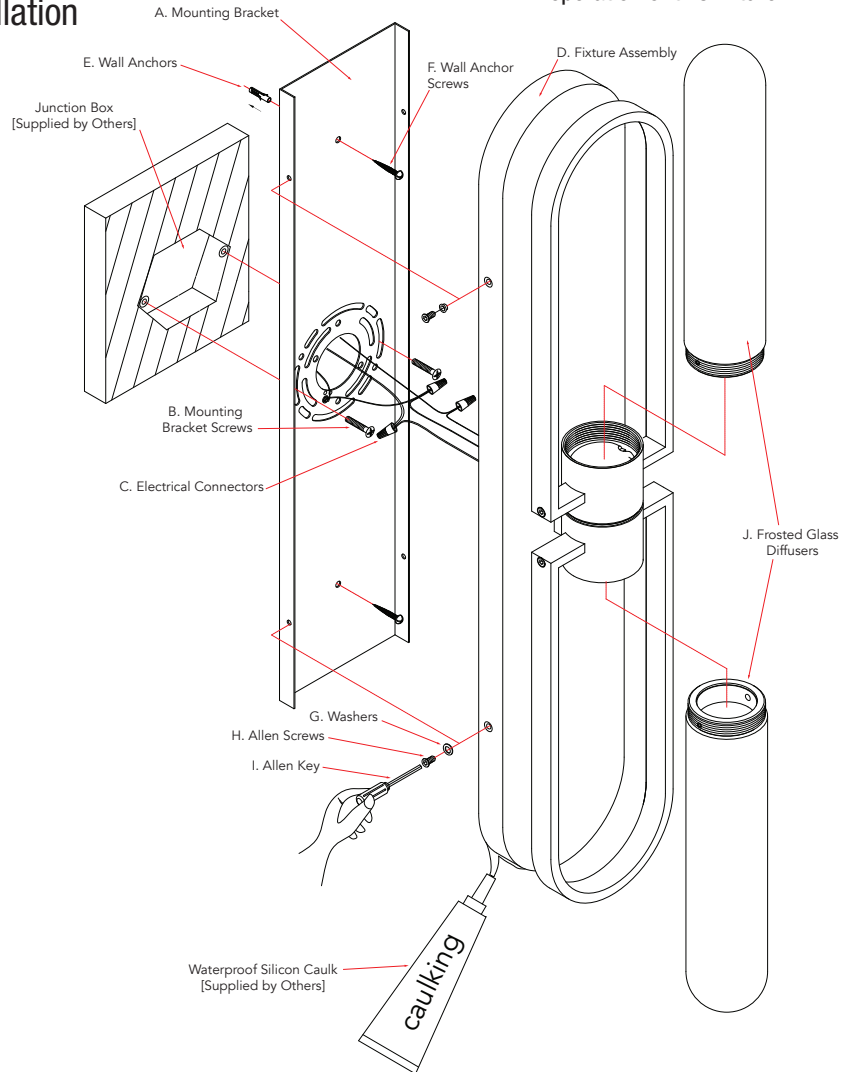
Assembly and Installation Instructions for Model's

501020DW

CAUTION - RISK OF FIRE

Installation of this fixture should be done by a licensed electrician or by a person familiar with local electrical codes and the construction and operation of this fixture.

Warning please make sure the electrical breaker is shut off before commencing with this installation



Package Contents

Part	Description	Quantity
A	Mounting bracket	1
B	Mounting bracket screws	2
C	Electrical connectors	3
D	Fixture assembly	1
E	Wall anchors	2
F	Wall anchor screws	2
G	Washers	4
H	Allen Screws	4
I	Allen key	1
J	Frosted glass diffusers	2

Installing the fixture

please ensure the electrical breaker is in the Off position before commencing

- Loosely attach the Mounting bracket (**A**) to the Junction Box [Supplied by Others] using the Mounting bracket screws (**B**) and mark where the two Wall anchors (**E**) will be placed. Remove the Mounting bracket.
- Insert the Wall anchors (**E**) into their marked positions. Attach the Mounting bracket to the Junction Box using the Mounting bracket screws (**B**). Secure the Mounting bracket to the wall by inserting the Wall anchor screws (**F**) into the Wall anchors.
- Connect the supply wires to the fixture wires using the supplied electrical wire connectors (**C**). White supply wire to the White fixture wire, Black supply wire to Black fixture wire and the ground Bare Copper or Green wire to the Green fixture wire. Once the electrical wire connectors are securely fastened it is recommended to tape these connectors with electrical tape.
- Secure the Fixture assembly (**D**) to the Mounting bracket (**A**) using the Washers (**G**), Allen screws (**H**) and Allen key (**I**) provided.
- Screw in the Frosted glass diffusers (**J**) into the Fixture assembly (**D**).
- Use a waterproof silicon caulk [Supplied by Others] to seal the Fixture to the wall.
- Switch on the electrical breaker switch and your new fixture is ready for many years of trouble free use.

