

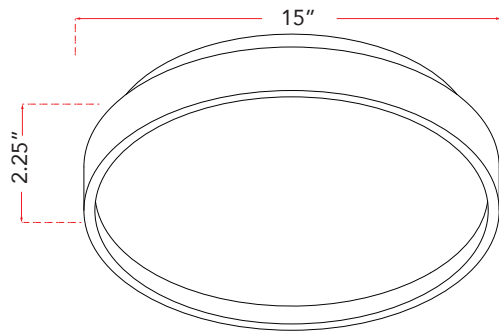


**ABRA MODEL** 30053FM-WH

**Slim Acrylic Flushmount**

**FAMILY NAME** Tambourine

**UPC** 00810035192164



**FIXTURE MATERIAL**

Frame Material	Finishes Available	Diffuser Type	Diffuser Finish
Acrylic	BL-Black WH-White	Acrylic	Frosted

**DIMENSIONS IN INCHES**

Fixture			Mounting Plate
Diameter	Height	o.a.h	Diameter
15	2.25	5	10

**CERTIFICATION**

Label	Location	Rating
cETL	Ceiling	Damp Location

**LAMPING**

Lamp Type	Lamp qty	Wattage	Max Wattage	Base	Kelvin	CRI	Initial Lumen's	Delivered Lumen's	Voltage
LED	1	30w	30w	Module	3000k	90	2550	1785 estimated	120v

**COMPATIBLE DIMMER'S**

CL, ELV
---------

**J-BOX TYPE**

4 x 4 Octagonal
-----------------

**SUPPLIED**

--

**SPECIAL NOTES**

--

<b>Project Name</b>	
<b>Date</b>	<b>Type</b>