

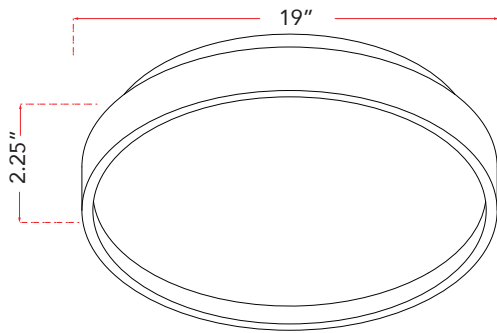


ABRA MODEL **30054FM-WH**

**Slim Acrylic Flushmount**

FAMILY NAME **Tambourine**

UPC **00810035192188**



**FIXTURE MATERIAL**

Frame Material	Finishes Available	Diffuser Type	Diffuser Finish
Acrylic	BL-Black WH-White	Acrylic	Frosted

**DIMENSIONS IN INCHES**

Fixture			Mounting Plate
Diameter	Height	o.a.h	Diameter
19	2.25	5	10

**CERTIFICATION**

Label	Location	Rating
cETL	Ceiling	Damp Location

**LAMPING**

Lamp Type	Lamp qty	Wattage	Max Wattage	Base	Kelvin	CRI	Initial Lumen's	Delivered Lumen's	Voltage
LED	1	40w	40w	Module	3000k	90	3400	2380 estimated	120v

**COMPATIBLE DIMMER'S**

CL, ELV
---------

**J-BOX TYPE**

4 x 4 Octagonal
-----------------

**SUPPLIED**

--

**SPECIAL NOTES**

--

<b>Project Name</b>			
<b>Date</b>		<b>Type</b>	