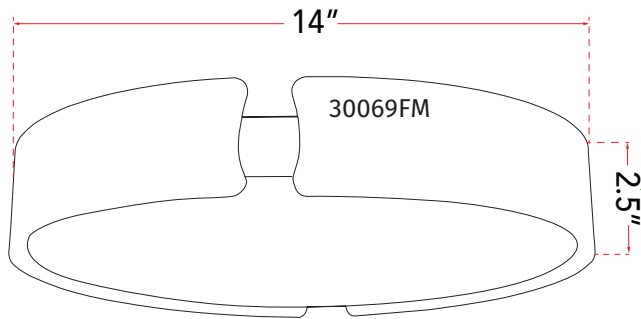




**ABRA MODEL** 30069FM-BL      **Flushmount**  
**FAMILY NAME** Mystic      **UPC** 00810035190566



FIXTURE MATERIAL				FIXTURE DIMENSIONS IN INCHES										
Frame Material	Finishes Available	Diffuser Type	Diffuser Finish	Diameter	Height	o.a.h	Width	Length	Ext	Weight	ADA	Location	Rating	Compliance
Steel	BL-Black	Acrylic	White	14	2.5	2.5						Ceiling Mount only	Damp Location	cETL
LAMPING										Compatible Dimmers	Junction Box Type	SUPPLIED		
Lamp Type	Lamp qty	Wattage	Max Wattage	Base	Kelvin	CRI	Initial Lumen's	Delivered Lumen's	Voltage		Standard 4 x 4 Octagon Box			
LED	1	25w	25w	Solid State Module	3000k	90+	2975	2083 estimated	120v	SPECIAL NOTES				

**ABRA LIGHTING**  
 NEOTERIC DESIGN

4575 Carter Court Chino California 91710  
 Phone: 949-940-1155 • Toll Free 800-295-7121  
[www.abralighting.com](http://www.abralighting.com)

<b>Project Name</b>			
<b>Date</b>		<b>Type</b>	