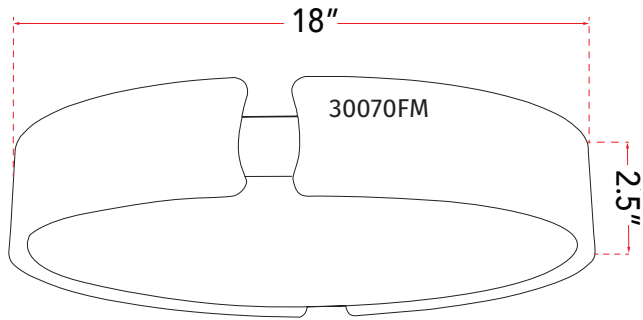




ABRA MODEL 30070FM-BL **Flushmount**
FAMILY NAME Mystic **UPC** 00810035190573



FIXTURE MATERIAL				FIXTURE DIMENSIONS IN INCHES										
Frame Material	Finishes Available	Diffuser Type	Diffuser Finish	Diameter	Height	o.a.h	Width	Length	Ext	Weight	ADA	Location	Rating	Compliance
Steel	BL-Black	Acrylic	White	18	2.5	2.5						Ceiling Mount only	Damp Location	cETL
LAMPING										Compatible Dimmers		Junction Box Type		SUPPLIED
Lamp Type	Lamp qty	Wattage	Max Wattage	Base	Kelvin	CRI	Initial Lumen's	Delivered Lumen's	Voltage			Standard 4 x 4 Octagon Box		
LED	1	38w	38w	Solid State Module	3000k	90+	3825	2678 estimated	120v					
SPECIAL NOTES														

ABRA LIGHTING
 NEOTERIC DESIGN

4575 Carter Court Chino California 91710
 Phone: 949-940-1155 • Toll Free 800-295-7121
www.abralighting.com

Project Name				
Date		Type		