

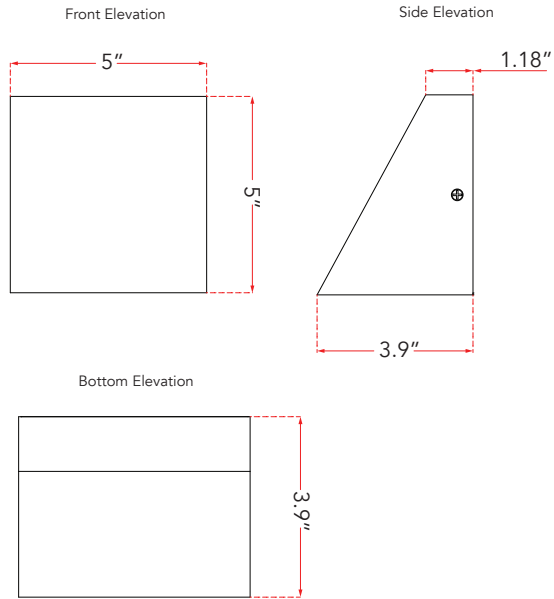


ABRA MODEL **500700DW-MW**

Wet Location Wall Sconce

ABRA Model **Wedge**

UPC 00810035193833



FIXTURE MATERIAL				DIMENSIONS IN INCHES			CERTIFICATION		
Frame Material	Finishes Available	Diffuser	Finish	Fixture			Label	Location	Rating
				Height	Width	Ext			
Metal	MW-Matte White MB-Matte Black	Glass	Frosted	5	5	3.9	cETL	Wall	Wet Location

LAMPING										COMPATIBLE DIMMER'S	J-BOX TYPE	SUPPLIED
Lamp Type	Lamp qty	Wattage	Max Watt-age	Base	Kelvin	CRI	Initial Lumen's	Delivered Lumen's	Voltage	CL, ELV	Octagonal	
LED	1	12w	12w	Modules	3000k	90	1020	714 estimated	120v			

SPECIAL NOTES



4575 Carter Court Chino California 91710
 Phone: 949-940-1155 • Toll Free 800-295-7121
 www.abralighting.com

Project Name			
Date		Type	