

### Assembly and Installation Instructions for Model

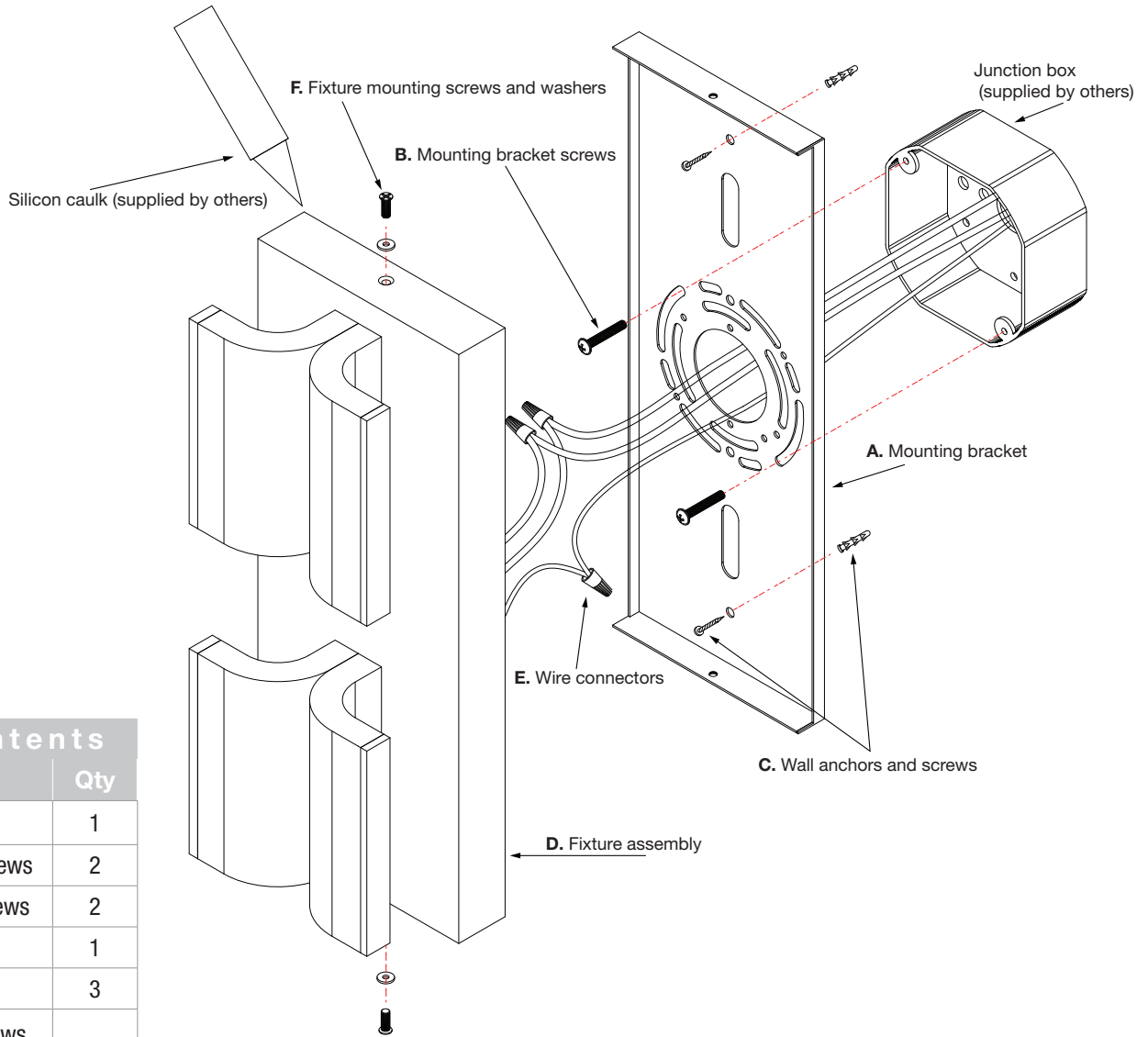
# 500740DW

## CAUTION - RISK OF FIRE

Installation of this fixture should be done by a licensed electrician or by a person familiar with local electrical codes and the construction and operation of this fixture.

**Warning** please make sure the electrical breaker is shut off before commencing with this installation

This fixture is certified for wall mounting only and is suitable for Wet locations



Package Contents		
Part	Description	Qty
A	Mounting bracket	1
B	Mounting bracket screws	2
C	Wall anchors and screws	2
D	Fixture assembly	1
E	Wire connectors	3
F	Fixture mounting screws and washers	2

### Installing the fixture *please ensure the electrical breaker is switched off before commencing*

- Loosely attach the Mounting bracket (A) to the Junction box with supplied Mounting plate screws (B) and make sure the bracket is level, using a pencil mark the two holes for the Wall anchors (C), remove the Mounting bracket, drill the holes for the Wall anchors and re-attach the Mounting bracket and secure with the Mounting bracket screws and Wall anchor screws.
- Attach the wires from the Fixture assembly (D) to the Supply wires using the supplied Electrical wire connectors (E). White supply wire to the White fixture wire, Black supply wire to Black fixture wire and the ground Bare Copper or Green wire to the Green fixture wire. Once the Electrical wire connectors are securely fastened it is recommended to tape these connectors with electrical tape.
- Attach the Fixture assembly (D) to the Mounting bracket (A) with Fixture mounting screws (F).
- Caulk with suitable Silicon Caulking around the fixture to ensure no water can penetrate.
- Re-connect the electrical breaker and the fixture is now ready for years of trouble free use.